



Phone (800) 981-1540 | Fax (715) 254-0996
 sales@kimobility.com | www.kimobility.com

Effective 05/07/2014

Company: _____

Ship To: _____

Account Number: _____ Date: _____

Address: _____

Quote PO Number: _____

City: _____ State: _____

RTS: _____

Zip: _____ Phone: _____

Marked For: _____

Email/Fax: _____

Tsunami ALX K0005 _____ **Charge**
 250 lb weight capacity

HCPCS codes provided are based on code verification by the PDAC or our interpretation of the code definitions.

Proper use of HCPCS codes does not ensure coverage or payment. For coverage information, verify the appropriate payer's coverage policy.

Frame

Seat Width / Seat Depth

Select box corresponding to desired Seat Width and Depth. See references A and B on page 8.

| | | Seat Width | | | | | | | | | |
|------------|-------------|--------------------------|--------------------------|--------------------------|--------------------------|--------------------------|--------------------------|--------------------------|--------------------------|--------------------------|--|
| | | 14" | 15" | 16" | 17" | 18" | 19" | 20" | 21" | 22" | |
| Seat Depth | Price HCPCS | N/C | N/C | N/C | N/C | N/C | Charge | Charge | Charge | Charge | |
| | 14" | <input type="checkbox"/> | <input type="checkbox"/> | <input type="checkbox"/> | <input type="checkbox"/> | <input type="checkbox"/> | <input type="checkbox"/> | <input type="checkbox"/> | <input type="checkbox"/> | <input type="checkbox"/> | |
| | 15" | <input type="checkbox"/> | <input type="checkbox"/> | <input type="checkbox"/> | <input type="checkbox"/> | <input type="checkbox"/> | <input type="checkbox"/> | <input type="checkbox"/> | <input type="checkbox"/> | <input type="checkbox"/> | |
| | 16" | <input type="checkbox"/> | <input type="checkbox"/> | <input type="checkbox"/> | <input type="checkbox"/> | <input type="checkbox"/> | <input type="checkbox"/> | <input type="checkbox"/> | <input type="checkbox"/> | Charge | |
| | 17" | <input type="checkbox"/> | <input type="checkbox"/> | <input type="checkbox"/> | <input type="checkbox"/> | <input type="checkbox"/> | <input type="checkbox"/> | <input type="checkbox"/> | <input type="checkbox"/> | <input type="checkbox"/> | |
| | 18" | <input type="checkbox"/> | <input type="checkbox"/> | <input type="checkbox"/> | <input type="checkbox"/> | <input type="checkbox"/> | <input type="checkbox"/> | <input type="checkbox"/> | <input type="checkbox"/> | <input type="checkbox"/> | |
| | 19" | Charge | <input type="checkbox"/> | <input type="checkbox"/> | <input type="checkbox"/> | <input type="checkbox"/> | <input type="checkbox"/> | <input type="checkbox"/> | <input type="checkbox"/> | <input type="checkbox"/> | |
| | 20" | Charge | <input type="checkbox"/> | <input type="checkbox"/> | <input type="checkbox"/> | <input type="checkbox"/> | <input type="checkbox"/> | <input type="checkbox"/> | <input type="checkbox"/> | <input type="checkbox"/> | |

Sling Position

In Performance Position (0"), sling is at front of frame to keep chair shorter and more maneuverable. Sling can be set back 1" or 2" exposing frame to improve stability, aid in transfers or assist with leg positioning. See reference C on page 8.

- 0" (Performance) _____ N/C
- 1" _____ N/C
- 2" (Classic) _____ N/C

Adjustable Depth

Adds the capability to grow seat in depth.

- No Rear Adjustment _____ N/C
- 1/2" _____ N/C
- 1" _____ Charge
- 2" _____ Charge
- 3" _____ Charge
- Long Sling (Sling will be full depth of frame) _____ N/C

Front Frame Bend

Angle between front seat tube and ground. See reference D on page 8.

- 90° _____ Charge
Not available with 6" casters
- 85° _____ N/C
Not available with 6" casters
- 80° _____ N/C
Not available with 3" Footrest Taper
- 75° _____ N/C
Not available with 2" or 3" Footrest Taper
- 70° _____ N/C
Not available with 2" or 3" Footrest Taper

Heavy Duty Option

Requires 6" casters

- 350 lb Weight Capacity _____ Charge

Transit Option

125 lb maximum weight capacity

- Transit System K0108 _____ Charge

Backrest

Back Post / Height Range / Back Height

Select Back Height in row corresponding to desired Back Post and Height Range

| Back Post | Price | Height Range | Back Height | | | | |
|---------------------------|--------|--------------|-----------------------------|-----------------------------|-----------------------------|-----------------------------|-----------------------------|
| Height Adjustable | N/C | Short | <input type="checkbox"/> 11 | <input type="checkbox"/> 12 | <input type="checkbox"/> 13 | <input type="checkbox"/> 14 | |
| | | Medium | <input type="checkbox"/> 13 | <input type="checkbox"/> 14 | <input type="checkbox"/> 15 | <input type="checkbox"/> 16 | <input type="checkbox"/> 17 |
| | | Tall | <input type="checkbox"/> 17 | <input type="checkbox"/> 18 | <input type="checkbox"/> 19 | <input type="checkbox"/> 20 | |
| Fixed Height ¹ | Charge | | <input type="checkbox"/> 9 | <input type="checkbox"/> 10 | <input type="checkbox"/> 11 | <input type="checkbox"/> 12 | <input type="checkbox"/> 13 |
| | | | <input type="checkbox"/> 14 | <input type="checkbox"/> 15 | <input type="checkbox"/> 16 | <input type="checkbox"/> 17 | <input type="checkbox"/> 18 |

¹ Uses 1" tubes compatible with aftermarket backs. Not available with back upholstery.

Push Handle

- Omit Push Handles _____ N/C
- Standard Push Handles _____ Charge
- Bolt-On Push Handles _____ Charge

Backrest continued

Rigidizer Bar

Adjustable Height Rigidizer Bar _____ Charge

Seat Back Angle

Standard is 90° (perpendicular to floor). Minus (-°) closes back angle. Plus (+°) opens back angle.

- Standard +3° +6° +9°
 -3° -6° -9° -12°

Back Upholstery

Available only with Height Adjustable Back Posts

- Padded Velcro Adjustable _____ Std
Not available with Heavy Duty Option
 Tension Adjustable E2611 _____ Charge
 Omit Back Upholstery _____ N/C

Front Seat Height and Casters

Caster Size / Footrest Taper / Front Seat Height

Select Front Seat Height in row corresponding to desired Footrest Taper and Caster Size.
 Footrest Taper indicates bend of front frame creating footrest width. Taper is measured from outside of seat frame to outside of front tube. 2" and 3" Taper not available with 70° or 75° Front Frame Bend. 3" Taper not available with 80° Front Frame Bend. See reference E on page 8.
 Front Seat Height is measured from floor to top of seat tube at front of seat sling. Adjustable up or down by 1/2". See reference F on page 8.

| Footrest Taper | Caster Size | Front Seat Height | | | | | | | | | | | | | | |
|----------------|-------------|-------------------------------|-------------------------------|-------------------------------|-------------------------------|-------------------------------|-------------------------------|-------------------------------|-------------------------------|-------------------------------|-------------------------------|-------------------------------|-------------------------------|-------------------------------|-------------------------------|-------------------------------|
| Straight | 3" | <input type="checkbox"/> 13.5 | <input type="checkbox"/> 14 | <input type="checkbox"/> 14.5 | <input type="checkbox"/> 15 | <input type="checkbox"/> 15.5 | <input type="checkbox"/> 16 | <input type="checkbox"/> 16.5 | <input type="checkbox"/> 17 | <input type="checkbox"/> 17.5 | <input type="checkbox"/> 18 | <input type="checkbox"/> 18.5 | <input type="checkbox"/> 19 | <input type="checkbox"/> 19.5 | <input type="checkbox"/> 20 | <input type="checkbox"/> 20.5 |
| | 4" | <input type="checkbox"/> 14 | <input type="checkbox"/> 14.5 | <input type="checkbox"/> 15 | <input type="checkbox"/> 15.5 | <input type="checkbox"/> 16 | <input type="checkbox"/> 16.5 | <input type="checkbox"/> 17 | <input type="checkbox"/> 17.5 | <input type="checkbox"/> 18 | <input type="checkbox"/> 18.5 | <input type="checkbox"/> 19 | <input type="checkbox"/> 19.5 | <input type="checkbox"/> 20 | <input type="checkbox"/> 20.5 | |
| | 5" | <input type="checkbox"/> 14.5 | <input type="checkbox"/> 15 | <input type="checkbox"/> 15.5 | <input type="checkbox"/> 16 | <input type="checkbox"/> 16.5 | <input type="checkbox"/> 17 | <input type="checkbox"/> 17.5 | <input type="checkbox"/> 18 | <input type="checkbox"/> 18.5 | <input type="checkbox"/> 19 | <input type="checkbox"/> 19.5 | <input type="checkbox"/> 20 | <input type="checkbox"/> 20.5 | | |
| | 6" | <input type="checkbox"/> 15 | <input type="checkbox"/> 15.5 | <input type="checkbox"/> 16 | <input type="checkbox"/> 16.5 | <input type="checkbox"/> 17 | <input type="checkbox"/> 17.5 | <input type="checkbox"/> 18 | <input type="checkbox"/> 18.5 | <input type="checkbox"/> 19 | <input type="checkbox"/> 19.5 | <input type="checkbox"/> 20 | <input type="checkbox"/> 20.5 | | | |
| 1" Taper | 3" | <input type="checkbox"/> 16.5 | <input type="checkbox"/> 17 | <input type="checkbox"/> 17.5 | <input type="checkbox"/> 18 | <input type="checkbox"/> 18.5 | <input type="checkbox"/> 19 | <input type="checkbox"/> 19.5 | <input type="checkbox"/> 20 | <input type="checkbox"/> 20.5 | | | | | | |
| | 4" | <input type="checkbox"/> 17 | <input type="checkbox"/> 17.5 | <input type="checkbox"/> 18 | <input type="checkbox"/> 18.5 | <input type="checkbox"/> 19 | <input type="checkbox"/> 19.5 | <input type="checkbox"/> 20 | <input type="checkbox"/> 20.5 | | | | | | | |
| | 5" | <input type="checkbox"/> 17.5 | <input type="checkbox"/> 18 | <input type="checkbox"/> 18.5 | <input type="checkbox"/> 19 | <input type="checkbox"/> 19.5 | <input type="checkbox"/> 20 | <input type="checkbox"/> 20.5 | | | | | | | | |
| | 6" | <input type="checkbox"/> 18 | <input type="checkbox"/> 18.5 | <input type="checkbox"/> 19 | <input type="checkbox"/> 19.5 | <input type="checkbox"/> 20 | <input type="checkbox"/> 20.5 | | | | | | | | | |
| 2" Taper | 3" | <input type="checkbox"/> 16.5 | <input type="checkbox"/> 17 | <input type="checkbox"/> 17.5 | <input type="checkbox"/> 18 | <input type="checkbox"/> 18.5 | <input type="checkbox"/> 19 | <input type="checkbox"/> 19.5 | <input type="checkbox"/> 20 | <input type="checkbox"/> 20.5 | | | | | | |
| | 4" | <input type="checkbox"/> 17 | <input type="checkbox"/> 17.5 | <input type="checkbox"/> 18 | <input type="checkbox"/> 18.5 | <input type="checkbox"/> 19 | <input type="checkbox"/> 19.5 | <input type="checkbox"/> 20 | <input type="checkbox"/> 20.5 | | | | | | | |
| | 5" | <input type="checkbox"/> 17.5 | <input type="checkbox"/> 18 | <input type="checkbox"/> 18.5 | <input type="checkbox"/> 19 | <input type="checkbox"/> 19.5 | <input type="checkbox"/> 20 | <input type="checkbox"/> 20.5 | | | | | | | | |
| | 6" | <input type="checkbox"/> 18 | <input type="checkbox"/> 18.5 | <input type="checkbox"/> 19 | <input type="checkbox"/> 19.5 | <input type="checkbox"/> 20 | <input type="checkbox"/> 20.5 | | | | | | | | | |
| 3" Taper | 3" | <input type="checkbox"/> 16.5 | <input type="checkbox"/> 17 | <input type="checkbox"/> 17.5 | <input type="checkbox"/> 18 | <input type="checkbox"/> 18.5 | <input type="checkbox"/> 19 | <input type="checkbox"/> 19.5 | <input type="checkbox"/> 20 | <input type="checkbox"/> 20.5 | | | | | | |
| | 4" | <input type="checkbox"/> 17 | <input type="checkbox"/> 17.5 | <input type="checkbox"/> 18 | <input type="checkbox"/> 18.5 | <input type="checkbox"/> 19 | <input type="checkbox"/> 19.5 | <input type="checkbox"/> 20 | <input type="checkbox"/> 20.5 | | | | | | | |
| | 5" | <input type="checkbox"/> 17.5 | <input type="checkbox"/> 18 | <input type="checkbox"/> 18.5 | <input type="checkbox"/> 19 | <input type="checkbox"/> 19.5 | <input type="checkbox"/> 20 | <input type="checkbox"/> 20.5 | | | | | | | | |
| | 6" | <input type="checkbox"/> 18 | <input type="checkbox"/> 18.5 | <input type="checkbox"/> 19 | <input type="checkbox"/> 19.5 | <input type="checkbox"/> 20 | <input type="checkbox"/> 20.5 | | | | | | | | | |

Caster Type

- .75" Rollerblade _____ N/C
Available only with 3" and 4" Caster Sizes
 .75" Lighted Rollerblade _____ Charge
Available only with 3" and 4" Caster Sizes
 1" Poly _____ N/C
Not available with 3" Caster Size
 1" Poly Aluminum _____ Charge
Available only with 4" and 5" Caster Sizes
 1" Pneumatic _____ Charge
Available only with 6" Caster Size
 1.5" Poly _____ Charge
Available only with 5" and 6" Caster Sizes
 1.5" Soft Roll Aluminum _____ Charge

Fork Options

- Standard Fork _____ Std
 Slotted Fork _____ Charge
 Single Sided Fork _____ Charge
Not available with 6" Casters or Caster Pin Locks
 Frog Legs Fork E1015 _____ Charge
Not available with 3" Casters or Caster Pin Locks

End User Weight Required: _____ lbs

- Caster Pin Locks K0073 _____ Charge
Available only with Slotted Fork

Footrest

- Footplate**
- Tubular "Open" Footplate _____ Std
*Not available with footrest widths greater than 15.5".
 See Reference E on page 8 for further explanation.*
 - Tubular Footplate with ABS Cover _____ Charge
*Not available with footrest widths greater than 15.5".
 See Reference E on page 8 for further explanation.*
 - Aluminum Angle Adjustable K0040 _____ Charge
 - Aluminum Angle Adjustable with Riser K0040, K0037 _____ Charge
 - High Mount Aluminum Angle Adjustable K0040, K0037 _____ Charge
 - Angle Adjustable Flip Under K0040, K0037 _____ Charge
Not available with 6" Casters
 - High Mount Angle Adjustable Flip Under K0040, K0037 _____ Charge
*Not available with footrest widths greater than 13.5".
 See Reference E on page 8 for further explanation.*

Seat to Footrest Length

Select desired Seat to Footrest Length.
 Measured from front edge of seat sling to top, rear of footrest.
 Footrest length of at least 2.5" shorter than Front Seat Height
 recommended. See reference G on page 8.

| | | | | | |
|------------------------------|--------------------------------|------------------------------|--------------------------------|------------------------------|--------------------------------|
| <input type="checkbox"/> 8" | <input type="checkbox"/> 8.5" | <input type="checkbox"/> 9" | <input type="checkbox"/> 9.5" | <input type="checkbox"/> 10" | <input type="checkbox"/> 10.5" |
| <input type="checkbox"/> 11" | <input type="checkbox"/> 11.5" | <input type="checkbox"/> 12" | <input type="checkbox"/> 12.5" | <input type="checkbox"/> 13" | <input type="checkbox"/> 13.5" |
| <input type="checkbox"/> 14" | <input type="checkbox"/> 14.5" | <input type="checkbox"/> 15" | <input type="checkbox"/> 15.5" | <input type="checkbox"/> 16" | <input type="checkbox"/> 16.5" |
| <input type="checkbox"/> 17" | <input type="checkbox"/> 17.5" | <input type="checkbox"/> 18" | <input type="checkbox"/> 18.5" | <input type="checkbox"/> 19" | <input type="checkbox"/> 19.5" |

Rear Seat Height and Wheels

Wheel Size / Rear Seat Height

Select Rear Seat Height in row corresponding to desired Wheel Size
 Measured from floor to top of seat tube at front of back post. Rear Seat Height is custom to needs. See reference H on page 8.
 Note: For proper setup, selection is required when omitting rear wheels.

| Wheel Size | Rear Seat Height | | | | | | | | | | | | | |
|------------|-------------------------------|-------------------------------|-------------------------------|-------------------------------|-------------------------------|-------------------------------|-------------------------------|-------------------------------|-------------------------------|-------------------------------|-------------------------------|-----------------------------|-------------------------------|-----------------------------|
| 22" | <input type="checkbox"/> 13.5 | <input type="checkbox"/> 14 | <input type="checkbox"/> 14.5 | <input type="checkbox"/> 15 | <input type="checkbox"/> 15.5 | <input type="checkbox"/> 16 | <input type="checkbox"/> 16.5 | <input type="checkbox"/> 17 | <input type="checkbox"/> 17.5 | <input type="checkbox"/> 18 | <input type="checkbox"/> 18.5 | <input type="checkbox"/> 19 | <input type="checkbox"/> 19.5 | <input type="checkbox"/> 20 |
| 24" | <input type="checkbox"/> 14.5 | <input type="checkbox"/> 15 | <input type="checkbox"/> 15.5 | <input type="checkbox"/> 16 | <input type="checkbox"/> 16.5 | <input type="checkbox"/> 17 | <input type="checkbox"/> 17.5 | <input type="checkbox"/> 18 | <input type="checkbox"/> 18.5 | <input type="checkbox"/> 19 | <input type="checkbox"/> 19.5 | <input type="checkbox"/> 20 | | |
| 25" | <input type="checkbox"/> 15 | <input type="checkbox"/> 15.5 | <input type="checkbox"/> 16 | <input type="checkbox"/> 16.5 | <input type="checkbox"/> 17 | <input type="checkbox"/> 17.5 | <input type="checkbox"/> 18 | <input type="checkbox"/> 18.5 | <input type="checkbox"/> 19 | <input type="checkbox"/> 19.5 | <input type="checkbox"/> 20 | | | |
| 26" | <input type="checkbox"/> 15.5 | <input type="checkbox"/> 16 | <input type="checkbox"/> 16.5 | <input type="checkbox"/> 17 | <input type="checkbox"/> 17.5 | <input type="checkbox"/> 18 | <input type="checkbox"/> 18.5 | <input type="checkbox"/> 19 | <input type="checkbox"/> 19.5 | <input type="checkbox"/> 20 | | | | |

Camber Bar Tower

- Standard Tower _____ N/C
- Mx Tower _____ Charge

Standard Tower allows rear seat height adjustment up or down in 1/4" increments. 1" adjustment available; 1/2" in lowest end of range.
Mx Tower useful with low seat heights or when large rear set height adjustment range is required. 3" adjustment range in 1/4" increments.

Rear Wheel Type

- 24" Spoke _____ N/C
 - Spoke (22", 25", 26") _____ Charge
 - Mag _____ N/C
Not available with 25" or 26" Rear Wheel Sizes
 - Spinergy Spox _____ Charge
Not available with 20" Rear Wheel Size
- Color: Black Red White Blue Yellow
- Handrim: Short Tab Long Tab
Available only with Aluminum Anodized and Plastic Coated Handrims

Rear Tire Type

Full Profile

- Street Pneumatic 1 3/8" _____ Std
Not available on 25" wheels
- Full Profile Poly 1 3/8" E2218 _____ Charge
Not available on 25" wheels
- Pneumatic with Airless Insert 1 3/8" E2211, E2213 _____ Charge
Not available on 25" wheels
- Kenda Iron Cap 1 3/8" Grey E2211, E2212 _____ Charge
Available only on 24" or 26" wheels. Not available on Mag wheels.
- Kenda Knobby 1 3/8" Grey E2211, E2212 _____ Charge
Available only on 24" wheels
- Kenda Mountain Nevegal 2" Black E2211, E2212 _____ Charge
Available only on 22", 24" and 25" Spoke and Spinergy wheels

Low Profile

- Low Profile Poly 1" _____ N/C
Not available on 25" or 26" wheels
- Shox Solid Tire 1" E2218 _____ Charge
Not available on 22" wheels
- High Pressure 1" E2211, E2212 _____ Charge
Not available on Mag wheels
- Schwalbe Marathon Plus Evolution 1" E2211, E2212 _____ Charge
Not available on Mag or 22" wheels

Rear Seat Height and Wheels continued

Handrim

Standard Handrims

- Aluminum Anodized _____ Std
- Plastic Coated _____ Charge
- Projection (8 Vertical Projections) _____ Charge
Available on 22", 24", 25" and 26" Spoke wheels & 24" Mag wheels w/full tires
- Omit Handrim _____ N/C

Natural Fit Handrims

Not available on 20" wheels or 22" Mag wheels

- Natural Fit LT Regular Grip _____ Charge
- Natural Fit Standard Regular Grip _____ Charge
- Natural Fit LT Super Grip _____ Charge
- Natural Fit Standard Super Grip _____ Charge
- Natural Fit LT Omit Grip _____ Charge
- Natural Fit Standard Omit Grip _____ Charge

Handrim Option

- 3M Micro Grip _____ Charge
Not available on Plastic Coated or Projection Handrims

Axle

- Quick Release _____ Std
- Quad Quick Release _____ Charge
Not available with Mag wheels

Wheel Locks

Wheel Lock

- Push to Lock _____ Std
- Push to Lock Flush Mount _____ N/C
- Pull to Lock _____ N/C
- Short Thro Scissor Lock _____ Charge
- Under Seat Scissor Lock _____ N/C
- Omit Wheel Locks _____ N/C

Armrests

Armrest Please select Arm Pad option

- Height Adjustable T-Arm (8.5" - 13.5") E0973 _____ Charge
Not available with Side Guards. 1.5" minimum Rear Wheel Spacing.

Arm Pad

Not available with Swing Away Armrests

- Desk Full

Side Guards

Removable Side Guards

Not available with T-Arm Armrests

- Composite Side Guards - Direct Mount Receiver K0108 _____ Charge
- Composite Side Guards - Clamp-on Receiver K0108 _____ Charge
- Fender Side Guards K0108 _____ Charge
Includes clamp-on receiver

Center of Gravity Preset

Select desired Center of Gravity Preset.

Measured from front of back post to center of rear axle. 0" indicates axle will be directly under back post. See reference I on page 8.

Amputee Positions

| | | | |
|--------------------------------|---------------------------------|------------------------------|--------------------------------|
| <input type="checkbox"/> -1.5" | <input type="checkbox"/> -1.25" | <input type="checkbox"/> -1" | <input type="checkbox"/> -.75" |
| <input type="checkbox"/> -.5" | <input type="checkbox"/> -.25" | <input type="checkbox"/> 0" | <input type="checkbox"/> .25" |

Standard Positions

| | | | |
|-------------------------------|--------------------------------|-----------------------------|--------------------------------|
| <input type="checkbox"/> .5" | <input type="checkbox"/> .75" | <input type="checkbox"/> 1" | <input type="checkbox"/> 1.25" |
| <input type="checkbox"/> 1.5" | <input type="checkbox"/> 1.75" | <input type="checkbox"/> 2" | <input type="checkbox"/> 2.25" |
| <input type="checkbox"/> 2.5" | <input type="checkbox"/> 2.75" | <input type="checkbox"/> 3" | <input type="checkbox"/> 3.25" |
| <input type="checkbox"/> 3.5" | <input type="checkbox"/> 3.75" | <input type="checkbox"/> 4" | <input type="checkbox"/> 4.25" |

Rear Wheel Spacing

Measured from outside of back to inside of rear tire. Adjustable out 1/2" from setting. 1.5" minimum Rear Wheel Spacing with Height Adjustable T-Arm Armrest. 1" minimum Rear Wheel Spacing with 0° Rear Wheel Camber. See reference J on page 8.

- .75" 1" 1.25" 1.5" 1.75"

Rear Wheel Camber

- 0° 2° 4° 6° 8°

Wheel Lock Options

- Extension Handles E0961 _____ Charge
Available only with Push to Lock or Pull to Lock Wheel Locks
- Grade Aids E0974 _____ Charge
*Available only with Push to Lock Wheel Locks
 Available only with Pneumatic or Pneumatic w/Airless Insert Rear Tire Types*

Armrest continued

- Swing Away (8.5" - 12.5") E0973 _____ Charge
Not available with Arm Pads
- Swing Away with Side Guard (8.5" - 12.5") E0973 _____ Charge
Includes direct mount receiver. Not available with Arm Pads.
- Omit Armrests _____ N/C

Fabric Side Guard

Not available with T-Arm Armrests or when omitting Back Upholstery

- Fabric Side Guards K0108 _____ Charge

Accessories

Anti-Tip

Rear Anti-Tips E0971 _____ Charge

Calf Strap

Velcro Adjustable K0038 _____ N/C
 Padded Velcro Adjustable K0038 _____ Charge
 Padded AeroMesh K0038 _____ Charge

Positioning Belt

1 1/2" Auto Buckle E0978 _____ Charge
 1 1/2" Padded Auto Buckle E0978 _____ Charge
 2" Airline Buckle E0978 _____ Charge
 Bodypoint Evoflex - Pelvic Stabilizer E0978 _____ Charge
 Size: Small (16-24") Medium (19-29") Large (25-37")
 Bodypoint Belt Mounting Kit _____ Charge
 Style: Bracket Band Clamp 1"

Seat Pan

Solid Seat Pan E2231 _____ Charge

Cushion

2" Cushion (14"x14" to 20"x20") E2601 _____ Charge
 2" Cushion (Over 20"x20") E2601 _____ Charge

Other Accessories

Tool Kit _____ Charge
 Underseat Pouch _____ Charge
 Ki Mobility Backpack _____ Charge
 Black Neoprene Impact Guards _____ Charge
 Under Chair Carrier and Removable Bag _____ Charge
 Clear Spoke Guards K0065 _____ Charge
Not available with Mag wheels
 Black Spoke Guards K0065 _____ Charge
Not available with 20" wheels or Mag wheels
 Cane and Crutch Holder _____ Charge

Frame Color

Gloss Finish

Black _____ N/C
 Blue Skies _____ N/C
 Bubblegum Pink _____ N/C
 Candy Blue _____ N/C
 Candy Purple _____ N/C
 Candy Red _____ N/C
 Copper _____ N/C
 Fuchsia _____ N/C
 Granny Smith _____ N/C
 Orange _____ N/C

Matte Finish

Army Green _____ N/C
 Emerald Green _____ N/C
 Graphite Gray _____ N/C
 Iridescent Burgundy _____ N/C
 Iridescent Navy _____ N/C
 Retro Red _____ N/C
 Royal Blue _____ N/C
 Shadow Black _____ N/C
 Smooth White _____ N/C

Therafin Accessories

Vest

- Full Shape, Comfort Strap (E0960) _____ **Charge**
 - Small 30589 Medium 30590 Large 30591
 - X-Large 30592 2X-Large 30593
- Full Shape, Extended Strap (E0960) _____ **Charge**
 - Small 30594 Medium 30595 Large 30596
 - X-Large 30597 2X-Large 30598
- Trip Shape, Comfort Strap (E0960) _____ **Charge**
 - Small 30618 Medium 30619 Large 30620
 - X-Large 30621 2X-Large 30622
- Trim Shape, Extended Strap (E0960) _____ **Charge**
 - Small 30604 Medium 30624 Large 30625
 - X-Large 30626 2X-Large 30627

Shoulder Harness

With metal clips and cam locks

- Small (E0960) 61403 _____ **Charge**
- Medium (E0960) 61503 _____ **Charge**
- Large (E0960) 61703 _____ **Charge**
- X-Large (E0960) 61803 _____ **Charge**

Hip Belt

- 4 Point Y-Style, Metal Buckle (E0978) _____ **Charge**
 - Small 60024 Medium 60025 Large 60026
- Dual Rear Pull, Metal Attaching Clips (E0978)
 - 1" Straps, 6.25"W x 1.75"H Pads 60161 _____ **Charge**
 - 1.5" Straps, 7.25"W x 2.25"H Pads 60171 _____ **Charge**
 - 1.5" Straps, 9.25"W x 2.5"H Pads 60181 _____ **Charge**
- Single Pull, Metal Buckle (E0978)
 - 1" Straps, 4.25"W x 1.75"H Pads 61001 _____ **Charge**
 - 1" Straps, 5.25"W x 1.75"H Pads 61101 _____ **Charge**
 - 1" Straps, 6.25"W x 1.75"H Pads 61201 _____ **Charge**
 - 1.5" Straps, 5.25"W x 2.25"H Pads 62001 _____ **Charge**
 - 1.5" Straps, 7.25"W x 2.25"H Pads 62101 _____ **Charge**
 - 1.5" Straps, 9.25"W x 2.5"H Pads 62201 _____ **Charge**
 - 2" Straps, 9.25"W x 3"H Pads 64001 _____ **Charge**
 - 2" Straps, 11.25"W x 3"H Pads 64101 _____ **Charge**

Cane Mounted Swing Away Lateral Thoracic Support

Sold as pair

- Swing Away Kits w/ 4"x6" Gel Pads (E0956, E1028) 50021 _____ **Charge**
- Swing Away Kits, No Pads (E0956, E1028) 50022 _____ **Charge**

Knee Adductor

- Flip Down Hardware (E1028) _____ **Charge**
Sold in pairs, one right side and one left side.
 - Short Arm, Fits 3/4", 7/8" and 1" Tubing 30248
 - Long Arm, Fits 3/4", 7/8" and 1" Tubing 30284
- Knee Adductor Pad with Neoprene Cover (E0956) _____ **Charge**
Sold single.
 - Small Pad, 4.25" x 3.25" 50490 Quantity: _____
 - Medium Pad, 6.25" x 4.25" 50491 Quantity: _____

Foot / Shoe Holder

Compatible only with Angle Adjustable Footplates

- FootSure Ankle Support (K0108) _____ **Charge**
Sold in pairs.
 - X-Small w/ Buckle Closure, 6"-8" Circum. 60250
 - Small w/ Buckle Closure, 7"-8.5" Circum. 60251
 - Medium w/ Buckle Closure, 8"-11" Circum. 60252
 - Large w/ Buckle Closure, 9"-12" Circum. 60253
 - X-Large w/ Buckle Closure, 12.5"-15" Circum. 60254
 - X-Small w/ Hook-N-Loop Closure, 5"-6" Circum. 60255
 - Small w/ Hook-N-Loop Closure, 6"-8" Circum. 60256
 - Med w/ Hook-N-Loop Closure, 8"-10.5" Circum. 60257
 - Large w/ Hook-N-Loop Closure, 9"-12" Circum. 60258
 - X-Lrg w/ Hook-N-Loop Closure, 12"-15" Circum. 60259
- Padded Footbox (K0108)
 - Small, Full Design, Fits 14" Chair 30111 _____ **Charge**
 - Medium, Full Design, Fits 16" Chair 30112 _____ **Charge**
 - Large, Full Design, Fits 18" Chair 30113 _____ **Charge**
 - Small, Split Design, Fits 14" Chair 30152 _____ **Charge**
 - Medium, Split Design, Fits 16" Chair 30153 _____ **Charge**
 - Large, Split Design, Fits 18" Chair 30154 _____ **Charge**
- Molded Shoe Holders (K0108) _____ **Charge**
Sold in pairs.
 - Small with Plain Straps, 3.5" x 2.25" 30292
 - Medium with Plain Straps, 4" x 6.5" 30303
 - Large with Plain Straps, 4.75" x 8" 30309
 - X-Large with Plain Straps, 5" x 10" 30316

Therafin Accessories continued

Half Tray

- Standard Shape, Clear, Flip-Away (E0956, E1028) _____ Charge
 - Right Side 41310 Left Side 41311
- Standard Shape, Padded, Flip-Away (E0956, E1028) _____ Charge
 - Right Side 41350 Left Side 41353
- Trimline Shape, Padded, Flip-Away (E0956, E1028) _____ Charge
 - Right Side 41352 Left Side 41351

Clear Tray with Border and Pre-Drilled Holes

STEP 1: Choose Tray

| Chair Width | Tray Dimension (W x D) | Body Cutout (W x D) | HCPCS | Part Number | Price | |
|-------------|------------------------|---------------------|-------|-------------|--------|--------------------------|
| 14" | 20 x 18 | 10.5 x 6 | E0950 | 33210 | Charge | <input type="checkbox"/> |
| | 20 x 18 | 11.5 x 6.5 | E0950 | 33211 | Charge | <input type="checkbox"/> |
| 15" | 21 x 18 | 11.5 x 6.5 | E0950 | 33212 | Charge | <input type="checkbox"/> |
| | 21 x 18 | 12.5 x 7 | E0950 | 33213 | Charge | <input type="checkbox"/> |
| 16" | 22 x 21 | 12.5 x 7.5 | E0950 | 33214 | Charge | <input type="checkbox"/> |
| | 22 x 21 | 13.5 x 8.5 | E0950 | 33215 | Charge | <input type="checkbox"/> |
| 17" | 23.5 x 22 | 13.5 x 8.5 | E0950 | 33216 | Charge | <input type="checkbox"/> |
| | 23.5 x 22 | 14.5 x 9.5 | E0950 | 33217 | Charge | <input type="checkbox"/> |
| 18" | 24.5 x 22 | 14.5 x 9.5 | E0950 | 33218 | Charge | <input type="checkbox"/> |
| | 24.5 x 22 | 15.5 x 10.5 | E0950 | 33219 | Charge | <input type="checkbox"/> |
| 19" | 26.5 x 22 | 15.5 x 10.5 | E0950 | 33220 | Charge | <input type="checkbox"/> |
| | 26.5 x 22 | 16.5 x 11 | E0950 | 33221 | Charge | <input type="checkbox"/> |
| 20" | 26.5 x 22 | 17 x 11 | E0950 | 33222 | Charge | <input type="checkbox"/> |
| | 26.5 x 22 | 18 x 11 | E0950 | 33223 | Charge | <input type="checkbox"/> |
| 21" | 27.5 x 23.5 | 17.5 x 11 | E0950 | 33224 | Charge | <input type="checkbox"/> |
| | 27.5 x 23.5 | 19 x 11 | E0950 | 33225 | Charge | <input type="checkbox"/> |
| 22" | 28.5 x 23.5 | 18.5 x 11 | E0950 | 33226 | Charge | <input type="checkbox"/> |
| | 28.5 x 23.5 | 20 x 11 | E0950 | 33227 | Charge | <input type="checkbox"/> |

STEP 2: Choose Tray Hardware

- E-Z Lock Clamps, Standard (E1028) 31098 _____ Charge
Sold in Pairs

Communication Mount Hardware

Choose Device Holder AND Mount

STEP 1: What DEVICE will be used?

- Smart Phone 32359 _____ Charge
- Large Smart Phone 32354 _____ Charge
- I-Pad 32355 _____ Charge
- I-Pad Mini 32356 _____ Charge
- 7" Tablet 32357 _____ Charge
- 10" Tablet 32358 _____ Charge

STEP 2: Where does it need to MOUNT?

- Frame 32350 _____ Charge
- Armrest 32351 _____ Charge
- Tray 32352 _____ Charge

References

A. Seat Width See Diagram 1

Measured from outside of frame tube on one side to outside of frame tube on other side.

B. Seat Depth See Diagram 3

Measured from front of back posts to front edge of seat sling. Seat sling starts at beginning of bend at front of frame.

C. Sling Position See Diagram 2

In Performance Position (0"), sling is at front of frame to keep chair shorter and more maneuverable. Sling can be set back 1" or 2" exposing frame to improve stability, aid in transfers or assist with leg positioning.

D. Front Frame Bend See Diagram 3

Angle between front seat tube and ground.

E. Footrest Taper See Diagram 1

Indicates bend of front frame creating footrest. Footrest width is listed below for each frame width and taper. Taper is measured from outside of seat frame to outside of front tube.

| Seat Width | Straight | 1" Taper | 2" Taper | 3" Taper |
|---------------------|-----------------------------|-----------------------------|-----------------------------|-----------------------------|
| Outside Measurement | 2" Narrower than Seat Width | 4" Narrower than Seat Width | 6" Narrower than Seat Width | 8" Narrower than Seat Width |
| 14" | 11.5" | 9.5" | | |
| 15" | 12.5" | 10.5" | | |
| 16" | 13.5" | 11.5" | 9.5" | |
| 17" | 14.5" | 12.5" | 10.5" | |
| 18" | 15.5" | 13.5" | 11.5" | |
| 19" | 16.5" | 14.5" | 12.5" | 10.5" |
| 20" | 17.5" | 15.5" | 13.5" | 11.5" |
| 21" | 18.5" | 16.5" | 14.5" | 12.5" |
| 22" | 19.5" | 17.5" | 15.5" | 13.5" |

F. Front Seat Height See Diagram 1

Measured from floor to top of seat tube at front of seat sling.

G. Seat to Footrest Length See Diagram 3

Measured from front edge of seat sling to top of rear of footrest. Footrest length of at least 2.5" shorter than front seat height recommended.

H. Rear Seat Height See Diagram 3

Measured from floor to top of seat tube at front of back post. Rear seat height is custom to needs.

I. Center of Gravity Preset See Diagram 3

Measured from front of back post to center of rear axle. 0" indicates axle will be directly under back post.

J. Rear Wheel Spacing See Diagram 1

Measured from outside of seat back to inside of rear tire. Adjustable out .5" from setting.

Diagram 1

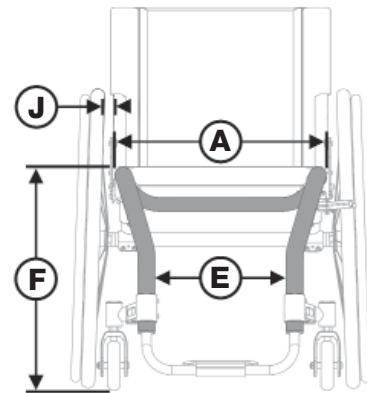


Diagram 2

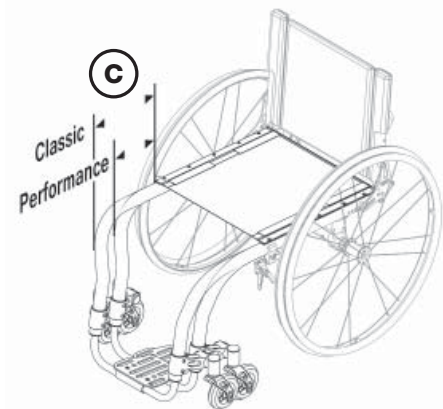


Diagram 3

